

## ZT series FAQ

Q1 · How to get or set the parameter of ZigBee converter (ZT-255x / ZT-257x) ? (2013/09/30, Bao) .....	2
Q2 · If packet length of data greater than 79 bytes, how the will ZigBee converter (ZT-255x / ZT-257x) dealt with? (2013/10/14, Bao) .....	3
Q3 · When the users has one coordinator and multiple routers and poll data one by one. What is the best configuration of the ZT modules? (2013/10/28, Bao) .....	3
Q4 · When the data was send to the RS-232 / RS-485 / Ethernet of the ZigBee converter (ZT-255x/ZT-257x) at the same time, how will the ZigBee converter dealt with the data? (2013/09/23, Bao) .....	4
Q5 · How to avoid Wi-Fi signal to influence ZigBee signal? (2013/09/23, Bao) .....	5
Q6 · Does the ZT-2570/ZT-2571 supports TCP or UDP protocol over the Ethernet? (2013/11/04, Bao) .....	7

## Q1 、 How to get or set the parameter of ZigBee converter (ZT-255x / ZT-257x) ? (2013/09/30, Bao)

Ans. :

The step to get or set the parameter of ZigBee converter as below:

1. Make the DIP-switch of module to the [ZBSET] position, and re-power on again.
2. Connect the PC with ZT module's COM0 by using RS-232 cable which came with the ZT module. (Warning: The ZT-2551 / ZT-2571 need the RS-232 Null-Modem cable.(CA-0910N))
3. Run ZT Utility in the PC.

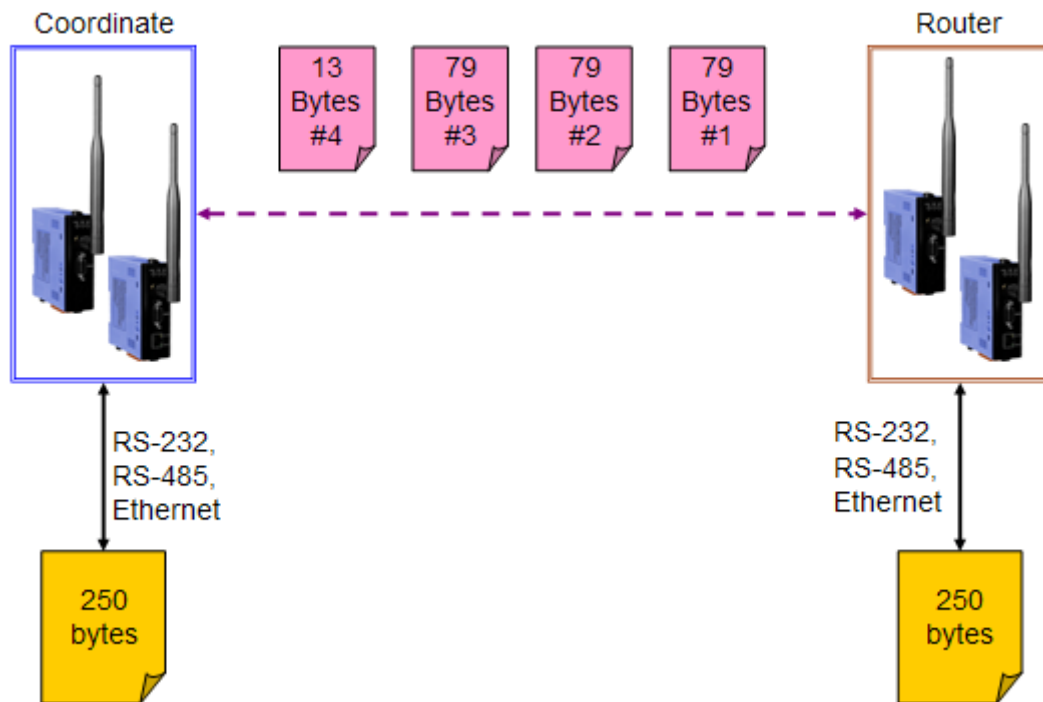
([http://ftp.icpdas.com.tw/pub/cd/usbcd/napdos/zigbee/zt\\_series/utility/](http://ftp.icpdas.com.tw/pub/cd/usbcd/napdos/zigbee/zt_series/utility/)), the picture is as below, select COM port -> select module will get or set the parameter -> click wizard. In ZT Utility, it will show the parameter of module. If user follows the indicator of ZT Utility message, then ZT Utility will set the parameter to module. (2013/12/03, Bao)



**Q2 · If packet length of data greater than 79 bytes, how the will ZigBee converter (ZT-255x / ZT-257x) dealt with? (2013/10/14, Bao)**

Ans. :

When the data was sent to the COM port, RS-485 or Ethernet port of the ZigBee converter and the data length is greater than 79 bytes, the ZigBee converter will split the data into several 79-byte packages. And then, the ZigBee converter will transmit each package one by one. For example, there is a data which is 250 bytes and need to be transmitted by the coordinator (ZT-2550/ZT-2570), the coordinator will split the data into 4 packages which are 79, 79, 79, 13 bytes. After router receives these 4 packages, router will combine the 4 packages to 1 package with 250 bytes. Then router will transmit the data to COM port, RS-485 or Ethernet port, and vice versa. (2013/10/14, Bao)

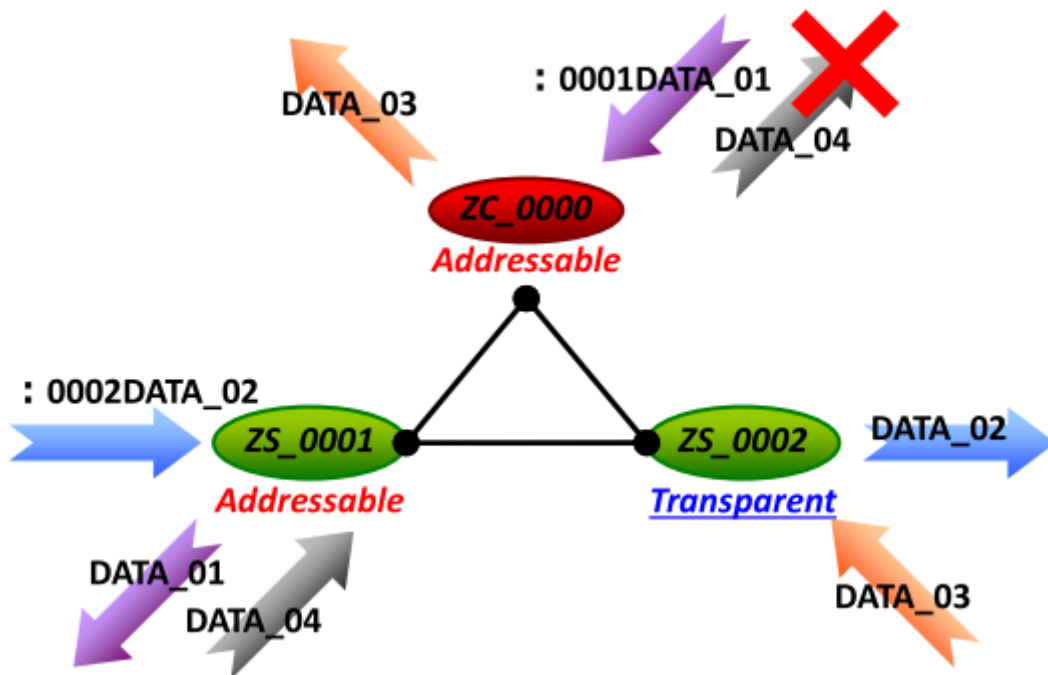


**Q3 · When the users has one coordinator and multiple routers and poll data one by one. What is the best configuration of the ZT modules? (2013/10/28, Bao)**

Ans.:

When ZigBee converter be used in the state is one coordinator and multiple routers, and

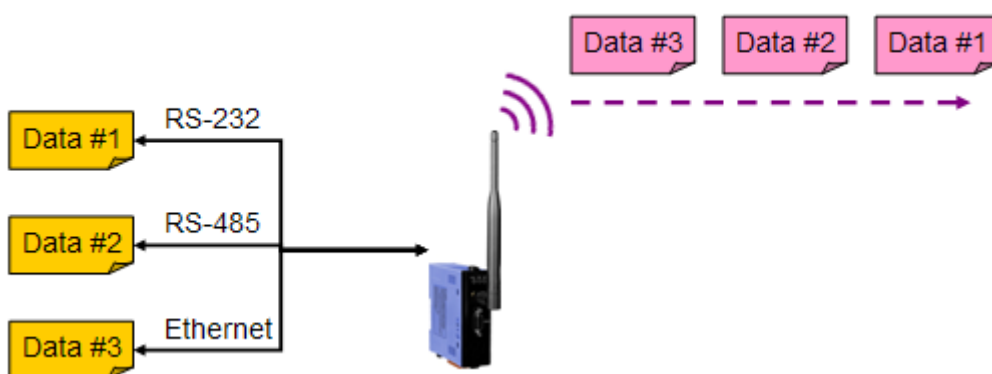
the communication mode is query and response in pairs. We suggest the coordinator to set the address mode, and the router to set transparent mode. And coordinator will poll to query each router.



**Q4 · When the data was send to the RS-232 / RS-485 / Ethernet of the ZigBee converter (ZT-255x/ZT-257x) at the same time, how will the ZigBee converter dealt with the data? (2013/09/23, Bao)**

Ans.:

If the data simultaneous input ports of ZigBee converter, ZigBee converter will save the data of each port. And ZigBee converter will transmit each data sequentially to air by wireless. (2013/09/23, Bao)

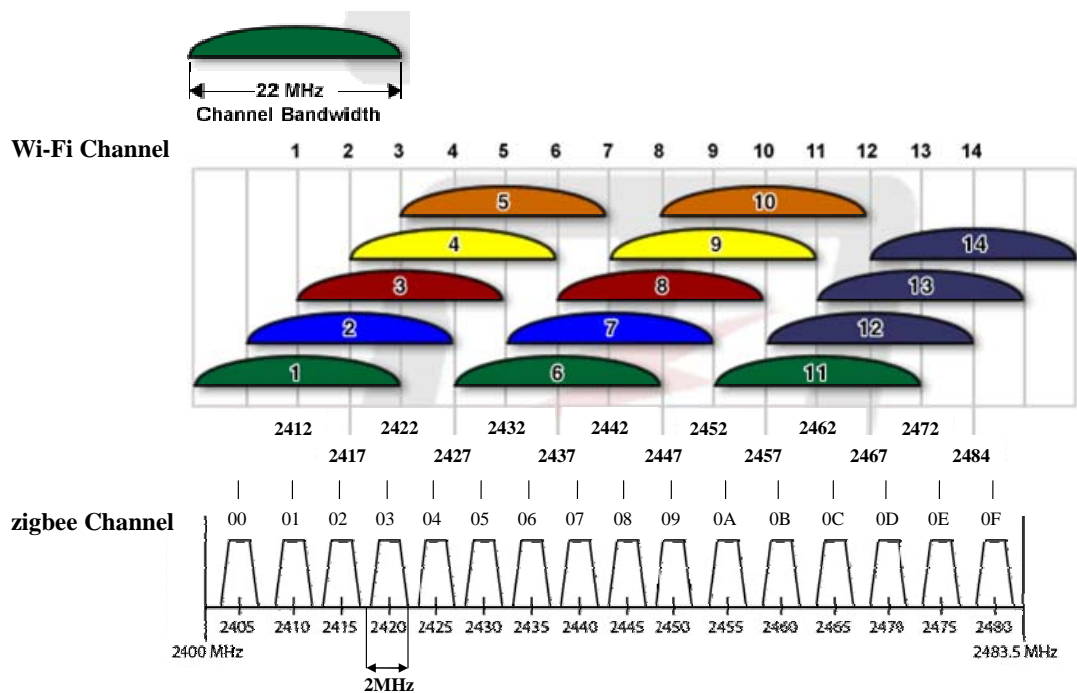


## Q5 · How to avoid Wi-Fi signal to influence ZigBee signal?

(2013/09/23, Bao)

Ans.:

Because Wi-Fi and ZigBee use 2.4GHz band together, their signal maybe overlap as below picture 1. User can select different channel between Wi-Fi channel and ZigBee channel.



Picture 1 Wi-Fi channel and ZigBee channel

By the way, user can use the free APP “Wifi Analyzer” in the smart phone or use the free software “inSSIDer” in the notebook (must built-in wireless network card) to detect Wi-Fi signal.

“Wifi Analyzer”

([https://play.google.com/store/apps/details?id=com.farproc.wifi.analyzer&hl=zh\\_TW](https://play.google.com/store/apps/details?id=com.farproc.wifi.analyzer&hl=zh_TW)) and

“inSSIDer” (<http://www.metageek.net/products/inssider/>) are as below picture 2 and picture

3. (2013/09/23, Bao)



Picture 2 Wifi Analyzer



Picture 3 inSSIDer

**Q6 、 Does the ZT-2570/ZT-2571 supports TCP or UDP protocol over the Ethernet? (2013/11/04, Bao)**

Ans.:

ZT-2570/ZT-2571 only support TCP protocol, doesn't support UDP protocol. (2013/11/04, Bao)